

## Description

Model 660AN is a trigger action 450gm grease gun capable of delivering up to 1.00cc of grease per stroke. It comes standard with a 30cm flexible extension & a 4 jaw coupler for those difficult to get at lubrication points. The 660AN has a 600gm capacity when using bulk grease & features a slip-type pressure/volume adjustment which changes the gun from high pressure to high volume.

## Specifications

Uses	450gm Grease Cartridges, Suction loading, Bulk loader pump from bulk grease drum
Grease Pressure	Maximum operating pressure of up to 8,500psi
Delivery	0.64cc per stroke (high pressure setting) / 1.0cc per stroke (high volume setting)
Capacity	600g capacity when using bulk grease

## Operating instructions

There are two ways to fill the gun with grease:

### A) 450g Grease Cartridge:

Unscrew the grease barrel from the gun and insert the 450g grease cartridge by holding the barrel assembly & pulling the rod back. Remove cap from the grease cartridge, insert the cartridge into the barrel & then rescrew the barrel assembly back onto the gun so that the cartridge sits well against the follower cup. Once in position, press the clamp down & push the rod firmly back into the barrel.

#### Important To Note:

*When using the gun with a cartridge, the follower cup must be folded back. The gun is supplied standard with the follower cup in this position.*

### B) Bulk Grease Loading:

Unscrew the grease barrel from the gun head & insert the barrel into the bulk grease. Suck the grease up into the barrel by pulling the rod all the way back. When barrel is full with grease, rescrew the barrel assembly back onto the gun head so that the follower sits well against the grease. Press the clamp down & push the rod firmly back into the barrel.

#### Important To Note:

*When using the gun with bulk grease, the follower cup must be folded forward. To do this, take the follower cup and rod assembly out of the barrel, fold the follower cup forward and reassemble the barrel assembly.*

## Maintenance

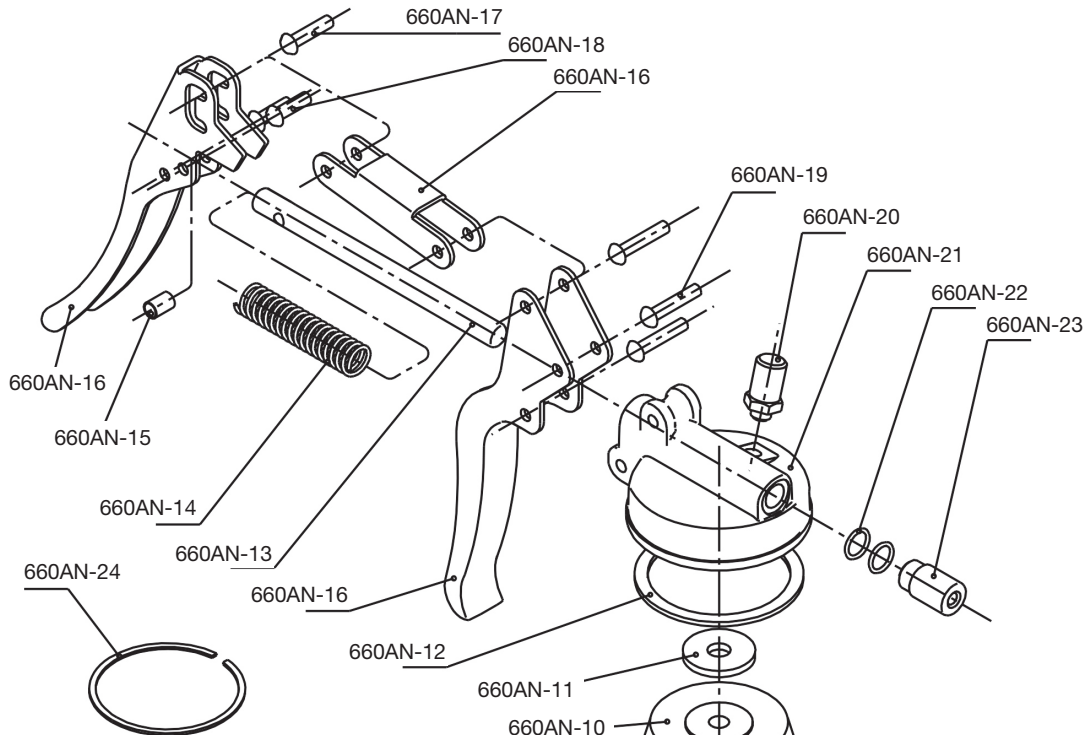
**Cleaning:** always keep the follower cup free of impurities. Your grease should be clear of any foreign particles, dirt etc and the gun should be checked and cleaned regularly.

### Air pockets in grease:

If the gun is pumped but no grease appears from the coupler: Depress the air bleeder valve on the head and pump a few strokes. Unscrew the barrel assembly from the gun head with two or three turns and then push on the plunger rod. With the follower cup engaged, the follower cup will move further down into the barrel venting any trapped air out through the thread connections between the barrel and head. Unscrew the flex extension as well.



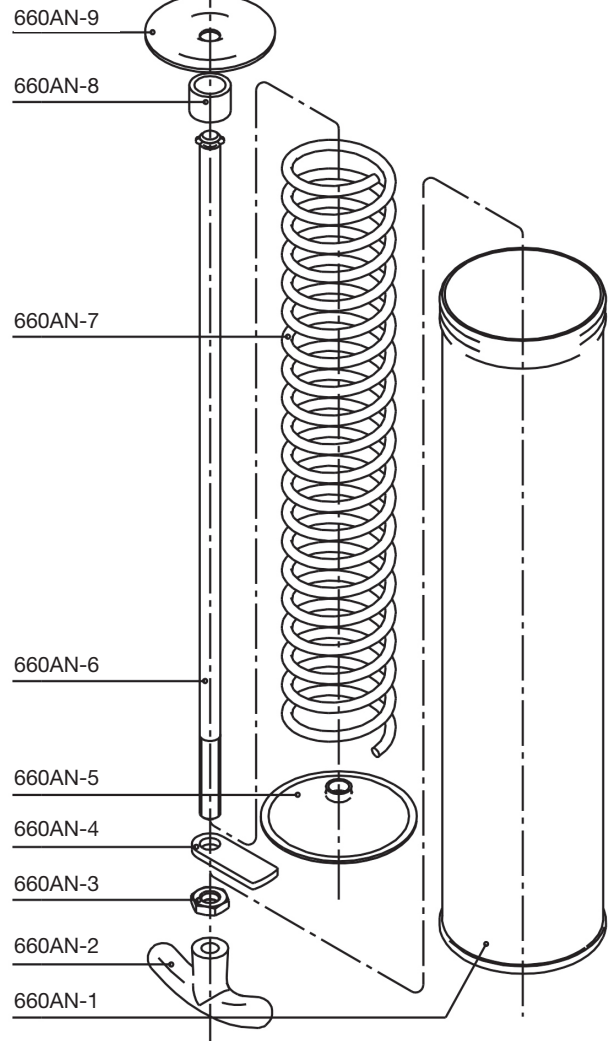
# Parts and Drawing Breakdown for 660AN



## Ordering Spare Parts

### Parts List – Part No. 660AN

Part Number	Product Description	Qty
660AN-1	Barrel	1
660AN-2	T-grip handle	1
660AN-3	Hex nut	1
660AN-4	Arrester clamp	1
660AN-5	Barrel cover insert	1
660AN-6	Draw rod	1
660AN-7	Spring	1
660AN-8	Distance holder	1
660AN-9	Forming disc	1
660AN-10	Follower cup	1
660AN-11	Washer	1
660AN-12	Ring	1
660AN-13	Piston	1
660AN-14	Spring	1
660AN-15	Space tube	1
660AN-16	3 pieces lever assembly	1
660AN-17	Rivets	1
660AN-18	Rivets	2
660AN-19	Rivets	3
660AN-20	Filler nipple	1
660AN-21	Grease gun head	1
660AN-22	O-Ring	2
660AN-23	Outlet	1
660AN-24	Transport spring	1



NSW/ACT  
TEL: (02) 9677 1555  
FAX: (02) 9675 1155

QLD/PNG  
TEL: (07) 3204 9166  
FAX: (07) 3204 1224

VIC/TAS  
TEL: (03) 8787 8288  
FAX: (03) 8787 8266

WA  
TEL: (08) 9302 4199  
FAX: (08) 9303 2095

SA/NT  
TEL: (08) 8241 7111  
FAX: (08) 8241 7011

NZ  
TEL: (09) 447 1007  
FAX: (09) 447 1008